

**Internet  
Institute USA**

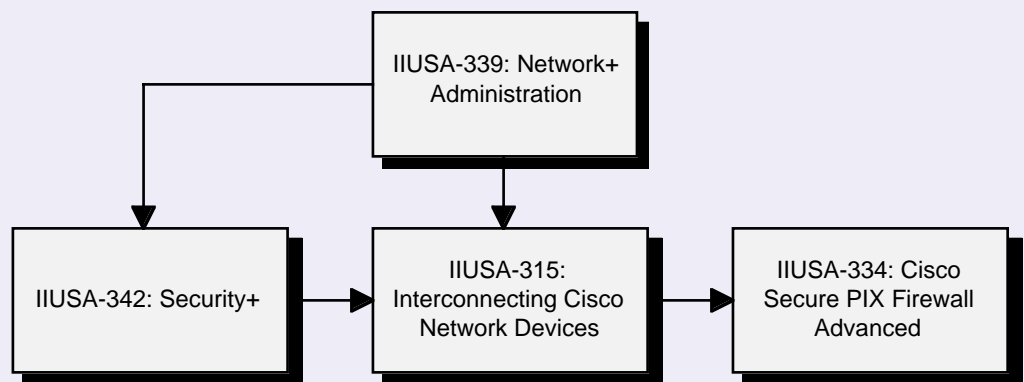
# Networking with Security

## Networking with Security

This program covers basic networking, Cisco routing and switching, security, and Cisco firewalls. The goal of this program is to prepare students for roles in operating and maintaining computer networks, with a specialization in network security. The only prerequisite is a user-level knowledge of computers.

The *Network+* course is the foundation for the program, covering basic networking principles and TCP/IP. This course leads to the CompTIA Network+ certification. The *Interconnecting Cisco Network Devices (ICND)* course prepares students for setting up routers and switches, and troubleshooting networks. This course leads to the Cisco Certified Network Associate (CCNA) credential.

The *Security+* course covers procedures for implementing security measures in a networking environment, as it applies to securing network services, network devices, and network traffic. This course leads to the CompTIA Security+ certification. The *Cisco Secure PIX Firewall Advanced (CSPFA)* course covers the operation and maintenance of the Cisco PIX firewall. This course leads to the Cisco CSPFA exam, which leads to the Cisco Certified Security Professional certification.



To register or to check on class schedules, or for additional information, see our Web site at <http://iiusatech.com>, or send us email at [info@iiusatech.com](mailto:info@iiusatech.com).

- Instructor-led classroom sessions
- Out-of-hours laboratory time
- Exam preparation software
- All course materials are included

## Course Outline

### Networking with Security

---

#### (20 days)

This four-course program covers networking fundamentals, security, and the operation and maintenance of Cisco routers, switches, and firewalls. The program leads to the following credentials: CompTIA Network+, CompTIA Security+, Cisco Certified Network Associate (CCNA), and Cisco Secure PIX Firewall Advanced (CSPFA).

#### **IIUSA-339 Network+ Administration (5 days)**

**Prerequisite:** User-level knowledge of computers.

Sponsored by the Computing Technology Industry Association (CompTIA), Network+ is a CompTIA vendor neutral certification that measures the technical knowledge of networking professionals with some prior degree of experience or learning in computers. Earning the Network+ certification means that the candidate possesses the knowledge needed to configure and operate a variety of networking products.

This course covers the layers of the OSI model, the features and functions of network components, networking protocols, and the skills needed to install, configure, and troubleshoot basic networking hardware devices.

#### **IIUSA-342 Security+ (5 days)**

**Prerequisite:** IIUSA-339: *Network+ Administration*

Security+ Certification is the primary course you will need to take if your job responsibilities include securing network services, network devices, and network traffic. It is also the main course you will take to prepare for the CompTIA Security+ examination. In this course, you will build on your knowledge and professional experience with computer hardware, operating systems, and networks as you acquire the specific skills required to implement basic security services on any type of computer network.

#### **IIUSA-315 Interconnecting Cisco Network Devices (5 days)**

**Prerequisite:** IIUSA-339: *Network+ Administration*

The Cisco Certified Network Associate (CCNA) certification indicates a foundation in and apprentice knowledge of networking for the small office/home office (SOHO) market. CCNA certified professionals can install, configure, and operate LAN, WAN, and dial access services for small networks (100 nodes or fewer), including but not limited to use of these protocols: IP, IGRP, IPX, Serial, AppleTalk, Frame Relay, IP RIP, VLANs, RIP, Ethernet, and Access Lists.

#### **IIUSA-334 Cisco Secure PIX Firewall Advanced (5 days)**

**Prerequisite:** IIUSA-315: *Interconnecting Cisco Network Devices*

The CSPFA course is a five-day, leader-led, lab-intensive course. This task-oriented course teaches the knowledge and skills needed to describe, configure, verify and manage the PIX Firewall product family and the Cisco IOS Firewall feature set.

#### **College Credit**

This track qualifies for 6.0 college credits at the University of Phoenix. For details, see:

<http://iiusatech.com/UoPcredit.html>

#### **Internet Institute USA**

2200 North Central Avenue; Suite 103  
Phoenix, AZ 85004

602-776-4545 (phone); 480-452-1688(fax)  
<http://iiusatech.com> • [info@iiusatech.com](mailto:info@iiusatech.com)